

Product features

Use new-style connector to save wiring space and make it more maintainable.

Adopt the super digital display of the Automatic power control circuit.

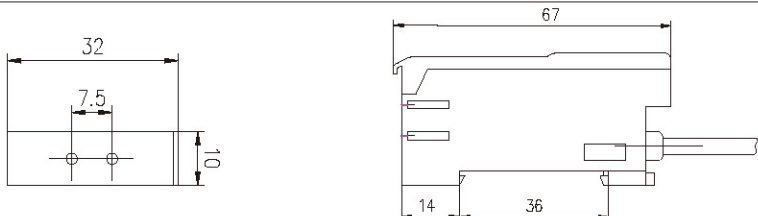
Power saving up to 70%.

Be able to shut off or dim the digital display while in working.

Use a controller of modern mobile style to explore the functions of Fiber Optic Amplifier.



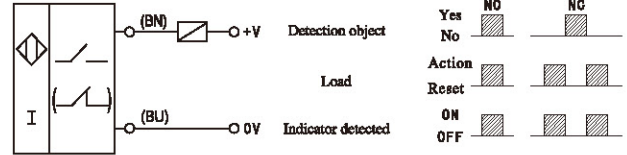
Model specification

specification	Output	Through-beam
	NPN	EQ-NA11
	PNP	EQ-NA41
Light source (light emitting wavelength)	The red light emitting diode 625nm	
supply voltage	DC12-24V ± 10% ripple wave (P-P) Max 10%	
connect Number	Max 12 sets	
Timer function	switch shift (Timer fixed 40ms)	
Control output	open collector output NPN or PNP (receive light ON cover light ON switch can transfer)	
Current consumption	Max 40mA	
Protective circuit	Power reverse connection, Output short circuit protection	
Response time	action reset each max 200 μ s	
Sensitivity adjustment	8 rotary knob	
Residual voltage	Max 1V	
Environment temperature	working: connect 1 ~ 3 sets: - 25 ~ +55°C , connect 4 ~ 10 sets: - 25 ~ +50°C , connect 11 ~ 12 sets: - 25 ~ +45°C keeping: - 30 ~ + 70°C (NO icing NO condensation)	
Withstand Voltage	AC1,000V 50/60Hz 1min between the whole and shell	
Vibration	1.5mm amplitude at frequency of 10 to 55Hz (for 1min.) in each of X,Y,Z directions for 2 hours	
Protection structure	IEC Standard: IP50 (Shielding installation)	
Connection mode	2M lead wire type	
Texture	Housing	Polybutylene terephthalate (PBT)
	caver	Makrolon (PC)
Authentication	CCC CE	
Product size chart		

Output mode and electrical characteristics

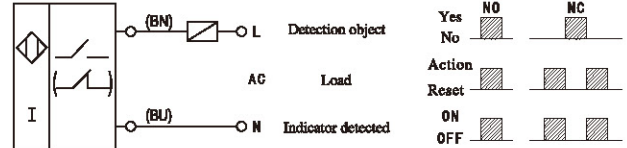
DC two-wire system NO or NC

The load must be connected in series in the sensor to work, there is a polarity and short circuit protection function; in the open circuit state, there is a very small leakage current; in the closed circuit, the switching element has a smaller voltage drop.



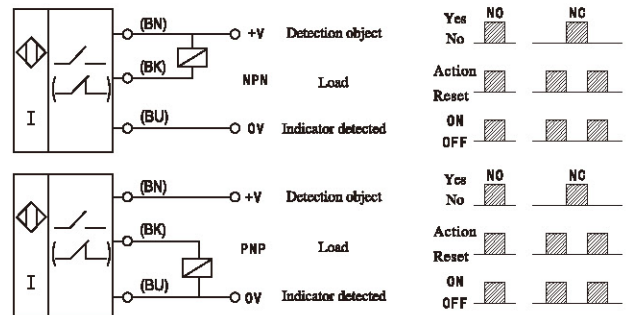
AC two-wire system NO or NC

The load must be connected in series in the sensor, in the closed circuit, the switching element has a smaller voltage drop.



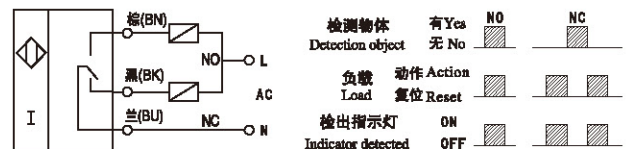
DC three-wire system(N,P type) NO or NC

These switches are connected to the load and power supply separately; the polarity, short circuit and overload protection function, and the residual current can be ignored.



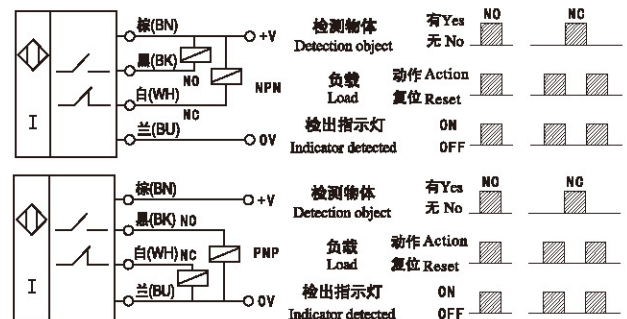
AC three-wire system NO+NC

The switches can provide two groups of output NO and NC



DC four-wire system(N,P type)NO plus NC

The switches can provide two groups of output NO and NC



AC/DC five wire(relay output)NO+NC

These switches can provide to often open,closed two group relay output.

