

Product features

- Convenient to mount and do wiring, kinds of models for wide application
- Perfect self-checking function
- Good anti-interference to the surrounding lights and electromagnetic
- Good anti-vibration. water-proof and dust-proof performance
- Double NPN/PNP output, also can choose the controllers providing double relay contacts output
- LED indicators to show the running and faults states
- Can choose S controller to run 2sets light curtain



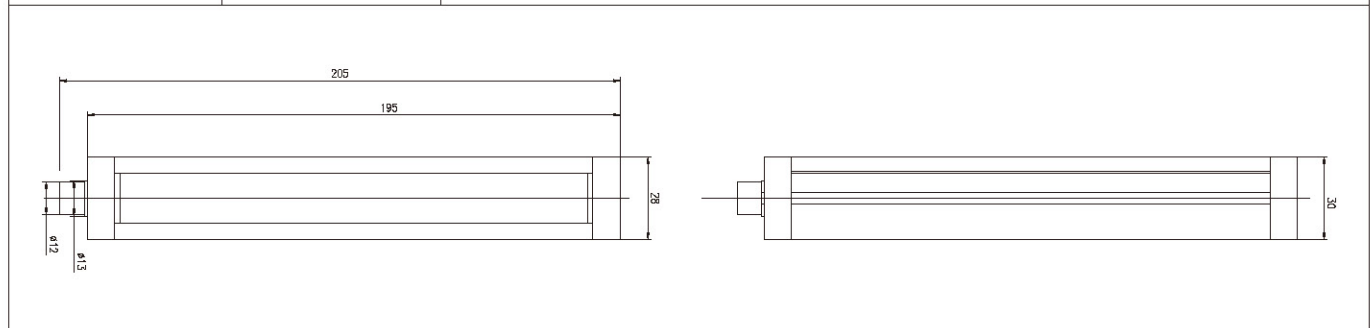
Model specification

Product dimensions	Overall dimensions	28mm*30mm*h (h is photoelectric height)		
	Shell height	N*d+15mm (N is beam path, d is the beam of separation, 15mm is display area)		
	the thickness of the cover	10mm		
	connector	35mm (Including plug-in base, cable connector)		
	L Fixed plate	28mm*30mm*35mm		

technical specification	Protective length	A: 0~2000mm	B: 0~6000mm	D: ≥10000mm
	Protectiv height	(N-1)*d (N is beam path, d is Beam spacing)		
	Optical path distance	10mm (customized)	20mm	40mm
	luminous source	940nm or 850nm, infrared		
	Anti light interference	12000Lux (angle of incidence ≥ 5°)		

physical specification	Applicable temperature	(-10℃ ~ 55℃)		
	environment humidity	20℃, RH ≤ 85% (No Condensation)		
	protection class	IP65		
	shell	Reinforced aluminum alloy, C type, average thickness 2.2mm		
	light filter	plexiglass (PMMA) ,with 750~1100nm		

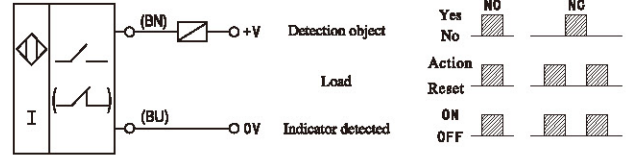
electrical specification	Operating voltage	DC12~24V (The ac power can be customized)		
	Average power	≤5W(without load)		
	output function	Dual transistor, load current ≥ 100mA (black NPN, white PNP; Other functions can be customized)		
	response time	Tr=N × 128us+2ms (Nis beam path; 60 light beam , ≤10ms)		
	anti-electromagnetic interference	IEC61000-4-2 Class IV ; IEC61000-4-4: Class IV ;		
	insulation resistance	> 500MΩ		
	Dielectric strength	AC1500V, 60s		



■ Output mode and electrical characteristics

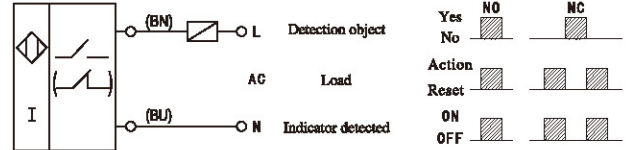
DC two-wire system NO or NC

The load must be connected in series in the sensor to work, there is a polarity and short circuit protection function; in the open circuit state, there is a very small leakage current; in the closed circuit, the switching element has a smaller voltage drop.



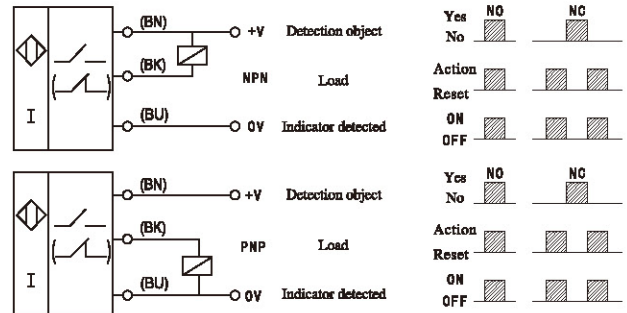
AC two-wire system NO or NC

The load must be connected in series in the sensor, in the closed circuit, the switching element has a smaller voltage drop.



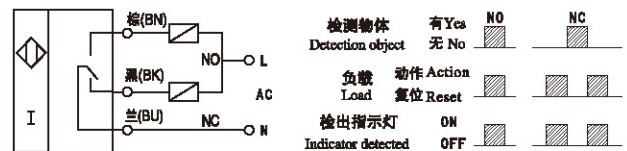
DC three-wire system(N,P type) NO or NC

These switches are connected to the load and power supply separately; the polarity, short circuit and overload protection function, and the residual current can be ignored.



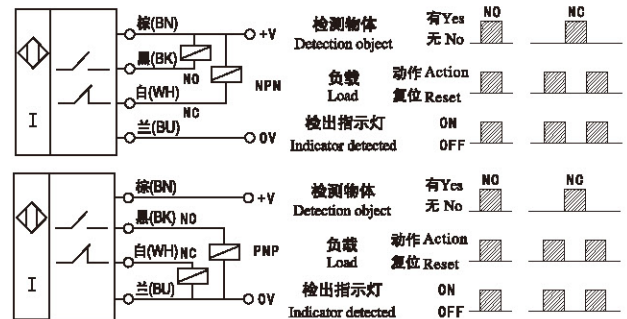
AC three-wire system NO+NC

The switches can provide two groups of output NO and NC



DC four-wire system(N,P type)NO plus NC

The switches can provide two groups of output NO and NC



AC/DC five wire(relay output)NO+NC

These switches can provide to often open,closed two group relay output.

