

Product features

Widely range of detecting targets:metal,plastic and fluid etc.

be able to detect different objects in container through nonmetallic container wall.

Sansibility could be adjusted by potentiometer.



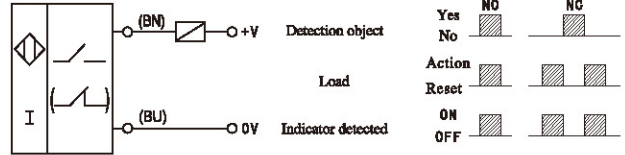
Model specification

specification	Menuting	Output	DC-3Wires		DC-2Wires	AC-2Wires
			NPN	PNP	/	/
2M lead wire type		NO	LNR-Z15NK	LNR-Z15PK	LNR-Z15DK	LNR-A15AK
		NC	LNR-Z15NB	LNR-Z15PB	LNR-Z15DB	LNR-A15AB
Pluggable type		NO	LNR-Z15NK/L	LNR-Z15PK/L	LNR-Z15DK/L	LNR-A15AK/L
		NC	LNR-Z15NB/L	LNR-Z15PB/L	LNR-Z15DB/L	LNR-A15AB/L
semi-pluggable (30cm)		NO	LNR-Z15NK/ML	LNR-Z15PK/ML	LNR-Z15DK/ML	LNR-A15AK/ML
		NC	LNR-Z15NB/ML	LNR-Z15PB/ML	LNR-Z15DB/ML	LNR-A15AB/ML
Sensing distance		Shield	15mm ± 10%	15mm ± 10%	15mm ± 10%	15mm ± 10%
Rated detection distance		Shield	0 - 13.5mm	0 - 13.5mm	0 - 13.5mm	0 - 13.5mm
Frequency (Hz)		Shield	100HZ	100HZ	100HZ	10HZ
Movement differential	Max. 15% of sensing distance					
Detected object	Conductor and dielectric body					
Standard detected object	Earthing metal boards 50 × 50 × 1mm					
Supply Voltage (V)	DC12 ~ 24V ripple wave (p-p) Max 10% (DC10 ~ 30V)					AC100 ~ 220V (AC90 ~ 250V)
Leakage current (mA)	/				2.2mA Max	
Consumption (mA)	15mA Max				/	
Load current(mA)	200mA Max				10 ~ 200mA	
Voltage drop (Vp)	2V Max				3V Max	
Protection circuit	surge protection circuit, reverse polarity protection circuit, overcurrent protection circuit				pulse absorption	Surge absorption
LED Display	Yellow LED					
Operating temperature	Working: - 10 ~ + 55° C, Keeping: - 20 ~ + 70° C (NO icing NO condensation)					
Withstand voltage	AC1,000V 50/60Hz 1min between the whole and shell					AC2,000V 50/60Hz 1min between the whole and shell
Vibration	1.5mm amplitude at frequency of 10 to 55Hz(for 1min.) in each of X,Y,Z directions for 2 hours					
Protection class	IEC standard IP66,intracompany standard:oil resistant,temperature Resistance					
Connection mode	2M lead wire type					
Texture	Housing	fluororesin				
	Material active face	fluororesin				
Authentication	CCC CE					

Output mode and electrical characteristics

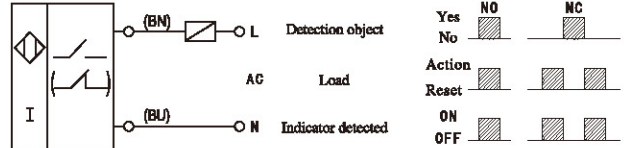
DC two-wire system NO or NC

The load must be connected in series in the sensor to work, there is a polarity and short circuit protection function; in the open circuit state, there is a very small leakage current; in the closed circuit, the switching element has a smaller voltage drop.



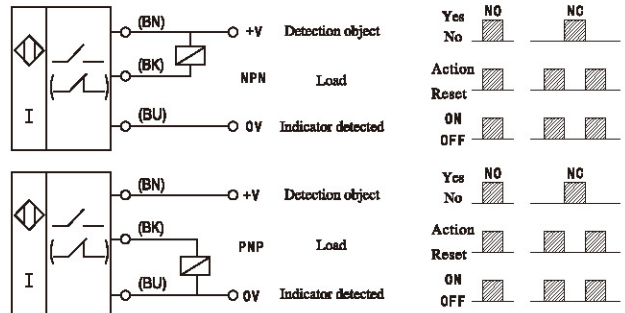
AC two-wire system NO or NC

The load must be connected in series in the sensor, in the closed circuit, the switching element has a smaller voltage drop.



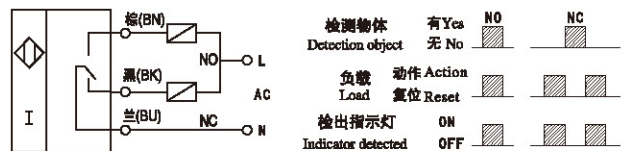
DC three-wire system(N,P type) NO or NC

These switches are connected to the load and power supply separately; the polarity, short circuit and overload protection function, and the residual current can be ignored.



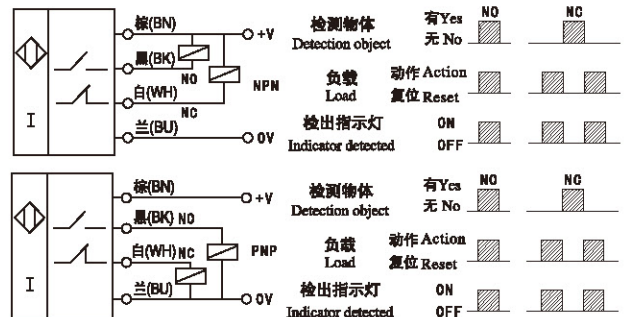
AC three-wire system NO+NC

The switches can provide two groups of output NO and NC



DC four-wire system(N,P type)NO plus NC

The switches can provide two groups of output NO and NC



AC/DC five wire(relay output)NO+NC

These switches can provide to often open,closed two group relay output.

